

Rointe®

ELBA CABLE Electric towel rail / secatoallas eléctrico / seca-toalhas eléctrico

EN

INSTALLATION AND USER MANUAL

Page 03

ES

MANUAL DE INSTALACIÓN Y USO

Página 19

PT

MANUAL DE INSTALAÇÃO E DE UTILIZAÇÃO

Página 36

**GUARANTEE / GARANTÍA
/ GARANTIA**

10

YEARS / AÑOS
/ ANOS

3

YEARS / AÑOS
/ ANOS

ON THE BODY
EN EL CUERPO
NO CORPO

ON ELECTRONICS
EN ELECTRÓNICA
NA ELECTRÓNICA



2. Por favor, não se esqueça de obter uma prova de envio.

SYMBOLS



DANGER. This symbol indicates a medium-high risk hazard which can result in serious injury or even death.



HOT SURFACE. This symbol indicates that product surfaces are hot during and immediately after use. These must not be touched: danger of burns.



OBSERVE THE INSTRUCTIONS IN THE MANUAL. Please read this manual carefully before installing and using the product. Keep it for later use. Read all instructions and safety warnings. Failure to follow these can result in electric shock, fire or serious injuries.

INDEX

1. General Warnings	5
2. Technical information	8
3. Installation	12
4. Maintenance and cleaning	14
5. European Regulation (WEEE) 2012/19/EU	14
6. Guarantee	15
7. How to register your product guarantee	18
EU declaration of conformity	52

1. GENERAL WARNINGS



WARNINGS

This product may be used by children over 8 years of age and by persons with reduced physical, sensory, or mental capabilities, or lack of experience and knowledge under strict supervision or instruction in the safe use of the product and if they understand the hazards involved. Children should not plug, adjust, clean, play with, or perform maintenance on this product. Children under 3 years of age should be kept away from this product unless supervised.

DO NOT use the product in enclosed spaces if the persons present cannot leave the room independently and are not under constant supervision.

DO NOT place spray cans, volatile substances, or similar objects within 250mm of the product. DO NOT use insecticides, paints, or chemicals on or near the product.



Some parts of this product could reach high temperatures and cause burns. DO NOT touch the external parts of the product when in operation.

DO NOT install near curtains or other flammable materials. Particular attention should be paid when children and vulnerable people are present.

When using electrical appliances, precautions should be taken to reduce the risk of fire, electric shock and injury. Never insert fingers, body parts or objects inside the product.

Make sure that the voltage indicated on the product's technical information corresponds to the voltage output you have at your socket.

Any repair or maintenance that requires the product to be opened the product must be carried out by personnel authorised by ROINTE, who must also be notified if a leak is observed. Only official spare parts approved by ROINTE should be used. Please observe the current and relevant regulations when disposing of this product and its thermal fluid.

If the power cable is damaged, it must be replaced by personnel authorised by ROINTE to prevent any damage.

The product has an IP55 degree of protection and can be used in bathrooms, but not in the vicinity of bathtubs, taps, showers, water connections, toilets, swimming pools or other masses of water. The product must never be installed where it, the switches or the control panel are within the reach of people in water. Never use the product with wet hands. Do not place any water containers (glasses, vases, etc.) on or near the product.



IMPORTANT

- Disconnect the product from the power supply and make sure the product is at room temperature before any cleaning or maintenance. Do not use any abrasive substances on the product, such as (but not limited to) chemicals, coarse cloths, brushes, hard bristle, or wire/steel wool.
- To disconnect the product from the power source, remove the mains plug from the socket. Do not pull on the cable.
- ROINTE cannot be held responsible for incorrect sizing of the product unless it has been followed by an official ROINTE technical study.
- Before the first start-up, or before the start of winter, or when the product has not been used for many days, the appliance should be cleaned (follow the steps in the “maintenance” section of this manual).
- Do not sit or lean on the product.
- Temperature contrasts can generate “clicks” or noises in the device. This is not a fault of the product, but due to the expansion/contraction of the materials.
- When disposing of the product, the requirements set out in the legislation for the waste treatment and recycling must be followed. See WEEE in section 5.

2. TECHNICAL INFORMATION

MODEL WIDTH 400	WHITE	TELCN40B077	TELCN40B112	TELCN40B150	TELCN40B172
	CHROME	TELCN40C077	TELCN40C112	TELCN40C150	TELCN40C172
DIMENSIONS & WEIGHTS					
Width (mm)		400	400	400	400
Height without control panel (mm)		770	1,120	1,500	1,720
Height with control panel (mm)		810	1,160	1,540	1,760
Depth (mm)		30	30	30	30
Installed depth (mm)		100	100	100	100
Weight (Kg)		6.1	9.8	12.9	15.4
MECHANICAL CHARACTERISTICS					
Armoured steel resistance		✓	✓	✓	✓
Thermal fluid		✓	✓	✓	✓
Finishes		White RAL 9016			
		Chrome			
ELECTRICAL CHARACTERISTICS					
Nominal power (W)	White	300	500	750	1.000
	Chrome	300	300	500	750
Voltage (V)		230 V ~	230 V ~	230 V ~	230 V ~
Current (A)	White	1.3	2.2	3.3	4.4
	Chrome	1.3	1.3	2.2	3.3
Class II		✓	✓	✓	✓
SAFETY & INSTALLATION					
Template & installation Kit		✓	✓	✓	✓
Protection grade		IP 55	IP 55	IP 55	IP 55
EAN code		8435556143994 8435556144038	8435556144007 8435556144045	8435556144014 8435556144052	8435556144021 8435556144069

MODEL WIDTH 450	WHITE	TELCN45B077	TELCN45B112	TELCN45B150	TELCN45B172
	CHROME	TELCN45C077	TELCN45C112	TELCN45C150	TELCN45C172
DIMENSIONS & WEIGHTS					
Width (mm)		450	450	450	450
Height without control panel (mm)		770	1,120	1,500	1,720
Height with control panel (mm)		810	1,160	1,540	1,760
Depth (mm)		30	30	30	30
Installed depth (mm)		100	100	100	100
Weight (kg.)		6.7	10.6	14.0	16.7
MECHANICAL CHARACTERISTICS					
Armoured steel resistance		✓	✓	✓	✓
Thermal fluid		✓	✓	✓	✓
Finishes		White RAL 9016			
		Chrome			
ELECTRICAL CHARACTERISTICS					
Nominal power (W)	White	300	500	750	1.000
	Chrome	300	300	500	750
Voltage (V)		230 V ~	230 V ~	230 V ~	230 V ~
Current (A)	White	1.3	2.2	3.3	4.4
	Chrome	1.3	1.3	2.2	3.3
Class II		✓	✓	✓	✓
SAFETY & INSTALLATION					
Template & installation Kit		✓	✓	✓	✓
Protection grade		IP 55	IP 55	IP 55	IP 55
EAN code		8435556134947 8435556134985	8435556134954 8435556134992	8435556134961 8435556135005	8435556134978 8435556135012

MODEL WIDTH 500	WHITE	TELCI50B077	TELCI50B112	TELCN50B150	TELCN50B172
	CHROME	TELCI50C077	TELCI50C112	TELCN50C150	TELCN50C172
DIMENSIONS & WEIGHTS					
Width (mm)		500	500	500	500
Height without control panel (mm)		770	1,120	1,500	1,720
Height with control panel (mm)		810	1,160	1,540	1,760
Depth (mm)		30	30	30	30
Installed depth (mm)		100	100	100	100
Weight (kg.)		7.4	11.6	14.6	18.1
MECHANICAL CHARACTERISTICS					
Armoured steel resistance		✓	✓	✓	✓
Thermal fluid		✓	✓	✓	✓
Finishes		White RAL 9016			
		Chrome			
ELECTRICAL CHARACTERISTICS					
Nominal power (W)	White	300	500	750	1.000
	Chrome	300	300	500	750
Voltage (V)		230 V ~	230 V ~	230 V ~	230 V ~
Current (A)	White	1.3	2.2	3.3	4.4
	Chrome	1.3	1.3	2.2	3.3
Class II		✓	✓	✓	✓
SAFETY & INSTALLATION					
Template & installation Kit		✓	✓	✓	✓
Protection grade		IP 55	IP 55	IP 55	IP 55
EAN code		8435556118374 8435556118398	8435556118381 8435556118404	8435556135043 8435556135081	8435556135050 8435556135098

MODEL WIDTH 550	WHITE	TELCN55B077	TELCN55B112	TELCN55B150	TELCN55B172
	CHROME	TELCN55C077	TELCN55C112	TELCN55C150	TELCN55C172
DIMENSIONS & WEIGHTS					
Width (mm)		550	550	550	550
Height without control panel (mm)		770	1,120	1,500	1,720
Height with control panel (mm)		810	1,160	1,540	1,760
Depth (mm)		30	30	30	30
Installed depth (mm)		100	100	100	100
Weight (kg.)		7.8	12.6	15.6	19.4
MECHANICAL CHARACTERISTICS					
Armoured steel resistance		✓	✓	✓	✓
Thermal fluid		✓	✓	✓	✓
Finishes		White RAL 9016			
		Chrome			
ELECTRICAL CHARACTERISTICS					
Nominal power (W)	White	300	500	750	1.000
	Chrome	300	300	500	750
Voltage (V)		230 V ~	230 V ~	230 V ~	230 V ~
Current (A)	White	1.3	2.2	3.3	4.4
	Chrome	1.3	1.3	2.2	3.3
Class II		✓	✓	✓	✓
SAFETY & INSTALLATION					
Template & installation Kit		✓	✓	✓	✓
Protection grade		IP 55	IP 55	IP 55	IP 55
EAN code		8435556135104 8435556135142	8435556135111 8435556135159	8435556135128 8435556135166	8435556135135 8435556135173

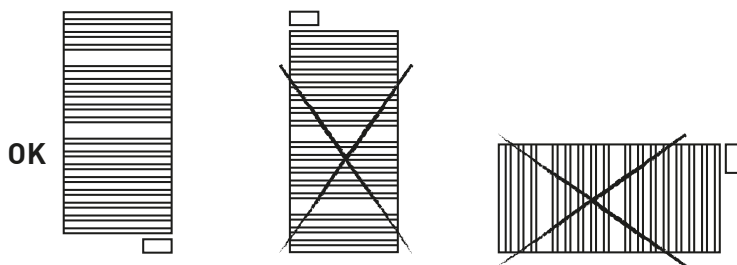
3. INSTALLATION

We recommend using a trusted Rointe supplier for installation of the product. Find the nearest one by calling us on **0203 321 5928** or using the locator on **www.rointe.co.uk**.

IMPORTANT: Prior to installation, please locate the metal tag located at the back of the product and note the product reference and serial number. You will need this information to register your guarantee. See section 7 for help on how to register the guarantee.

WARNING: Do not install the product directly over an electrical outlet or junction box. Do not install the product or use it outdoors. Do not install directly under a shelf. This product is designed to be installed on an interior wall using the ROINTE template, the installation kit and the fixings supplied. Do not install the product in such a way that it encounters the power cable.

IMPORTANT: This product must never be installed with its control box in a raised position. The vertical product must not be used horizontally. During installation, use shims to prevent the control box from resting on the floor.

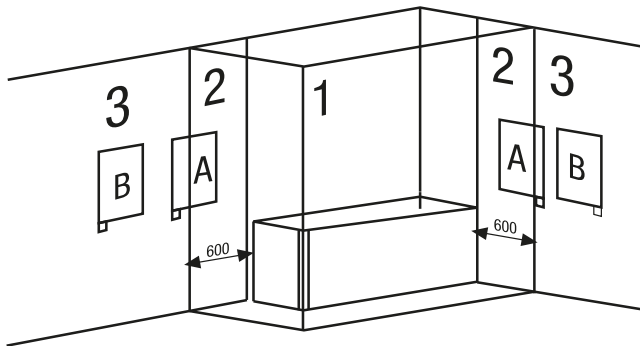


The mains connection must be made in compliance with the voltage indicated on the product's technical data label. This product is intended to be permanently connected to a fixed installation. The supply circuit of the product must be fitted with a single-pole circuit breaker with a contact separation of at least 3 mm. The product should be installed, if possible, away from draughts (windows, doors) or anything else that could interfere with its

control. This will provide the best thermal comfort. Place any object that could impede air circulation (furniture, armchairs) 50 cm from the front of the appliance. The product must not be placed in front of or directly below a fixed socket. The bottom of the control panel must be at least 15 cm above the floor.

For any product, if the power supply cable is damaged, it must be replaced with a specific cable. The replacement of the cable must be carried out by ROINTE, our after-sales service or qualified personnel. The technical characteristics of your product are indicated on the technical characteristics label.

This product complies with CLASS II safety standards (double insulation). It can be installed in Zones 2 and 3, positions A and B provided that the following rules are observed:



In bathrooms, the product must never be installed in such a way that the control panel can be reached by a person in the bath or shower. The control panel must be located at a minimum distance of 600 mm from any wet areas. The body of the product can be placed in Zone 2 if the control panel is located within Zone 3.

WARNING: The weight of some of the products may be heavy. The installation may require two people.

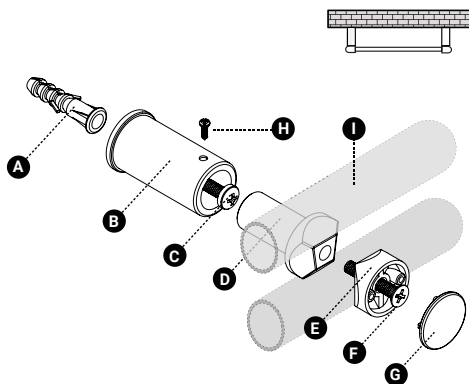
IMPORTANT: Please follow these instructions carefully.



An installation kit is included in the packaging. Follow the instructions below:

1. Choose the right part of the wall.
2. Place the mounting stencil on the wall, marking the places for the holes.
3. Remove the stencil and make the holes in the wall.
4. Insert the rawl plugs (A) in the holes made.
5. Screw the plastic bracket (B) to the wall with the Ø5.5 x 50 mm screw (C).
6. Screw the two brackets for supporting the product (D + E) to the horizontal tube of the product like in Figure 1 with the Ø6 x 35mm screw (F).
7. Insert what you have assembled in Section 6 into the plastic piece (B). Fix well with the Ø2,9 x 9,5mm fixing screw (H).
8. Place the cap (G) on the piece supporting the product (E).

Nº.	ITEM
A	Ø 10 x 45 mm rawl plug
B	Plastic Bracket
C	Ø 5.5 x 50 mm screw
D	Plastic Bracket
E	Plastic Bracket
F	Ø 6 x 35 mm screw
G	Plastic Bracket Cap
H	Ø 2.9 x 9.5 mm fixing screw
I	Product



4. MAINTENANCE & CLEANING

The product does not require any maintenance. We recommend cleaning the product (back, bottom of the product, etc.). Do not use abrasive substances on the product, clean it with a damp cloth and neutral pH soap and the screen with a dry cloth. Before carrying out any cleaning operation, make sure that the product is switched off and at room temperature.

5. EUROPEAN REGULATION (WEEE) 2012/19/EU

Based on the European regulation 2012/19/EU on Waste Electrical and Electronic Equipment (WEEE), these appliances cannot be thrown in the usual council bins; they must be collected selectively to optimise the recovery and recycling of the components and materials that make them up, and reduce the impact on human health and the environment. The crossed-out wheelie bin symbol on a horizontal bar is marked on all ROINTE products to remind the consumer of the obligation to separate them for separate collection. The consumer should contact the local authority or the retailer for information regarding the correct disposal of their product.

6. GUARANTEE




1. Agreement

1.1. This section describes the guarantee conditions available to the buyer when purchasing a new product of the Rointe brand. These conditions include all the rights that the buyer has in accordance with current national legislation, as well as the guarantee and additional rights offered by the brand. Any incident detected in your Rointe product can be dealt with by the seller of the product or in a more agile way through the manufacturer itself.

1.2. Rointe offers you Technical Assistance from our After-Sales Service by telephone at **+44 (0)203 321 5928** or email to **support@rointe.co.uk**, where we will indicate the steps to follow to solve the incident. You will need the product reference (located on the metal characteristics label), serial number, date of purchase and the nature of the fault when contacting us. In addition, you must have a copy of the proof of purchase of the product.

1.3. ROINTE guarantees there are no material defects of design or manufacture at the time of original purchase. ROINTE guarantees the body for 120 months (10 years) and the electrical plus electronic components for 36 months (3 years) for this product only, from the date of purchase, or delivery if later, provided it has not been modified, and in accordance with the provisions of the following stipulations.

SERIAL NUMBER —————

 IP55	
8437007080872014442400000 1	230 V~ 50Hz 300 W
TYPE: RK6154311 REFERENCE: TELCN50C077 MODEL: ELBA CABLE	

2. Conditions

2.1. If during the guarantee period, the product under normal use, and with proper maintenance, fails to function properly and is found to be defective in design, material,

or workmanship, it will be repaired or replaced at the customer's option, in accordance with the provisions of the law, and subject to the following terms and conditions:

2.1.1. The guarantee is only applicable if the original guarantee is issued by the seller and when such guarantee has been registered with Rointe correctly, including the product reference, serial number (marked on the metal label of the product), date of purchase and proof of purchase. The product guarantee can be registered on our website at www.rointe.co.uk or can be emailed to support@rointe.co.uk within 90 days of installation. ROINTE reserves the right to refuse a guarantee when this information has been removed or modified after the original product purchase.

2.1.2. The guarantee is only applicable if the product has been installed by a competent person in accordance with this installation manual and all regulations in force at the time of installation.

2.1.3. The guarantee is only applicable to those cases that refer to defects in material, design and manufacture, and in no case covers damage to the product for the following reasons:

- i) Damage caused by negligence and/or misuse of the product, i.e. used for purposes other than its normal use, or by not respecting the instructions for use, maintenance and cleaning given by ROINTE, as well as by incorrect or inadequate installation or use of the product that may not comply with the technical safety standards in force.
- ii) Corrosion of any part of the product caused by direct exposure to saltwater. Where the product is installed within 200 m of the coast, the guarantee period for damage caused by corrosion shall be reduced by 50%.
- iii) Any unauthorised modifications or repairs to the product carried out by third parties or unauthorised persons, or the opening of the product by third parties or unauthorised persons.
- iv) Any accident deemed to be beyond ROINTE's control, such as (but not limited to): lightning, fire, flood, natural disasters, public disorder, atmospheric or geological phenomena, and all those of a similar nature.
- v) Failures resulting from incorrect installation. In case of doubt, please contact ROINTE.

2.2. Any repair or replacement carried out as part of this guarantee service does not allow for extension periods or new guarantee periods, i.e. your guarantee will not be extended in the event that a repair or replacement of this product is carried out, but will be suspended until the product is returned repaired or a new one is delivered.

2.3. Any repair or replacement covered by this guarantee must be a functionally equivalent part. Defective parts or parts removed or replaced shall become the property of ROINTE and must be returned as such.

2.4. The product must be installed in such a way as to allow access by ROINTE technicians or authorised persons in the event that they need to access the product for

repair or maintenance. The user/customer is responsible for the organisational means necessary to allow access to the products by ROINTE for repair or replacement.

2.5. ROINTE's Technical Support department will advise you if you need to purchase any parts not covered by this guarantee or outside of this guarantee.

2.6. This guarantee will not be valid if the product has been tampered with, modified and/or repaired in any way and/or by unauthorised persons. This guarantee will also not be valid if the product is not correctly installed.

2.7. This guarantee is not transferable and does not include claims for limescale or frost damage.

2.8. This guarantee does not affect the purchaser's statutory rights under applicable national legislation, nor does it affect any rights contracted with the dealer or installer that may arise in performance of the contract of sale.

2.9. ROINTE, its offices, employees, distributors and installers shall not be liable for any incidental damages arising from the infringement of any rule implied in this product, as well as for its improper or incorrect use.

2.10. Check the EULA conditions (supplied with the product for Wi-Fi connected products) for information on the legal agreement you accept when installing a ROINTE product. For product or guarantee assistance, please contact ROINTE by telephone at +44 (0)203 321 5928 or by email to support@rointe.co.uk.

7. HOW TO REGISTER YOUR PRODUCT GUARANTEE

IMPORTANT: It is important that you register your ROINTE product as part of our guarantee service, in case you wish to make a claim.

You can register your ROINTE product in the following ways:

WEB

1. Go to <https://rointe.com/uk/register-your-guarantee/>
2. Log in to your existing account or create a new account if necessary.
3. Click on “My products”.
4. Enter your product reference (alphanumeric and in capital letters).
5. Enter your serial number (26 digits located on the metal tag of your product starting with 84).
6. Upload your proof of purchase, such as your invoice in PDF, JPEG or PNG format. This is not mandatory, but doing so ensures that your warranty period is accurate.
7. Click on “Register”.
8. Congratulations! Your product is now registered.

EMAIL

1. Send an email to support@rointe.com with the following information:
 - Customer name
 - Address and postcode
 - Telephone number and email address
 - Product reference
 - Serial number
 - The date of purchase of the product and proof of purchase (as described in the WEBSITE section above).
 - Our technical support team will confirm product registration and request any additional information needed by email.

POSTAL

1. Send the information listed in the EMAIL section to:

SÍMBOLOS



PELIGRO. Este símbolo indica un peligro con un riesgo medio elevado el cual, si no se evita, puede resultar en una lesión seria o incluso la muerte.



SUPERFICIE CALIENTE. Este símbolo indica que sus superficies están calientes durante e inmediatamente después de su uso. Estas no deben ser tocadas: peligro de quemaduras.



OBSERVE LAS INSTRUCCIONES EN EL MANUAL. Por favor, lea cuidadosamente el manual antes de instalar y utilizar el producto. Guárdelo para su uso posterior. Lea todas las instrucciones y advertencias de seguridad. Un fallo en el seguimiento de estas puede resultar en una descarga eléctrica, incendio, así como heridas graves.

ÍNDICE

1. Advertencias generales	21
2. Información técnica	24
3. Instalación	28
4. Mantenimiento y limpieza	31
5. Normativa Europea (RAEE) 2012/19/UE	31
6. Garantía	31
7. Cómo registrar la garantía de su producto	34
Declaración UE de conformidad	52

1. ADVERTENCIAS GENERALES



ADVERTENCIAS

Este producto puede ser utilizado por niños mayores de 8 años y por personas con capacidades físicas, sensoriales o mentales reducidas, o con falta de experiencia y conocimientos, bajo supervisión o instrucción sobre el uso del producto de manera segura y comprenden los peligros que conlleva. Los niños no deben enchufar, regular, limpiar, jugar ni realizar mantenimiento en este producto. Los niños menores de 3 años deben mantenerse alejados del producto a menos que sean supervisados.

No usar el dispositivo en espacios cerrados si hay personas presentes que no pueden abandonar la habitación independientemente y no están bajo constante supervisión.

No colocar botes de spray, sustancias volátiles u objetos similares a una distancia inferior a 250mm del producto. No utilice insecticidas, pinturas, productos químicos sobre o cerca del producto.



Algunas partes de este producto podrían alcanzar temperaturas altas y causar quemaduras. No tocar las partes externas del emisor cuando esté en funcionamiento. No instalar cerca de cortinas u otros materiales inflamables. Se debe prestar especial atención cuando niños y personas vulnerables estén presentes.

Al utilizar aparatos eléctricos, se deben tomar precauciones para reducir el riesgo de incendio, descarga eléctrica y lesiones a las personas. Nunca introducir, dedos, partes del cuerpo u objetos en el interior del producto.

Asegurarse que el voltaje indicado en la información técnica del producto se corresponde con la salida de voltaje con la que usted cuenta en su enchufe.

Cualquier reparación o mantenimiento que requiera abrir el producto debe ser realizada por ROINTE o por personal autorizado, que también debe ser notificado si se observa una fuga. Se deben utilizar únicamente las piezas de recambio oficiales aprobadas por el fabricante. Por favor, respete las normas al desechar este producto y su fluido térmico.

Si el cable de alimentación está dañado, debe ser sustituido por ROINTE o por su personal autorizado para evitar cualquier daño.

Para evitar riesgos de asfixia, no dejar las bolsas y demás accesorios al alcance de bebés y niños.

El producto tiene un grado de protección IP55 y puede utilizarse en cuartos de baño, pero no en las inmediaciones de bañeras, duchas, conexiones de agua, lavabos, piscinas u otras masas de agua. El producto no debe instalarse nunca donde él mismo, o los interruptores o el panel de control estén al alcance de las personas dentro del agua. Nunca utilice el producto con las manos mojadas. No coloque ningún recipiente de agua (vasos, jarrones, etc.) sobre o cerca del producto.

! IMPORTANTE

- Desconecte el producto de la fuente de alimentación y asegúrese de que el producto esté a temperatura ambiente antes de cualquier limpieza o mantenimiento. No utilice ninguna sustancia abrasiva sobre el producto, como (pero no limitado a) productos químicos, paños ásperos, cepillos de cerdas duras o lana de alambre/acero.
- Para desconectar el producto de la fuente de alimentación principal, retire el enchufe de la toma. Nunca tire del cable.
- ROINTE no puede hacerse responsable de los productos con un dimensionamiento incorrecto, a menos que se haya seguido un estudio técnico oficial de ROINTE.
- Antes del primer arranque o antes del comienzo de la campaña de invierno o cuando el emisor no se ha usado durante muchos días, el aparato debe ser limpiado (siga los pasos del punto "mantenimiento" de este manual.
- No se siente o apoye sobre el producto.
- Los contrastes de temperatura pueden generar "chasquidos" o ruidos en el aparato. Esto no es un fallo del producto, sino que se debe a la dilatación/contracción de los materiales.
- Cuando se desechen los emisores, deben tenerse en cuenta los requisitos establecidos por la legislación para el tratamiento y reciclaje de los residuos. Ver RAEE en punto 5.

2. INFORMACIÓN TÉCNICA

MODELO ANCHO 400	BLANCO	TELCN40B077	TELCN40B112	TELCN40B150	TELCN40B172
	CROMO	TELCN40C077	TELCN40C112	TELCN40C150	TELCN40C172
DIMENSIONES Y PESOS					
Anchura (mm)		400	400	400	400
Altura sin panel de control (mm)		770	1.120	1.500	1.720
Altura con panel de control (mm)		810	1.160	1.540	1.760
Fondo (mm)		30	30	30	30
Fondo instalado (mm)		100	100	100	100
Peso (kg)		6,1	9,8	12,9	15,4
CARACTERÍSTICAS MECÁNICAS					
Resistencia de acero blindado		✓	✓	✓	✓
Fluido térmico		✓	✓	✓	✓
Acabado		Blanco RAL 9016			
		Cromo			
CARACTERÍSTICAS ELÉCTRICAS					
Potencia nominal (W)	Blanco	300	500	750	1.000
	Cromo	300	300	500	750
Voltaje (V)		230 V ~	230 V ~	230 V ~	230 V ~
Intensidad (A)	Blanco	1,3	2,2	3,3	4,4
	Cromo	1,3	1,3	2,2	3,3
Clase II		✓	✓	✓	✓
INSTALACIÓN Y PROTECCIÓN					
Kit de instalación incluido		✓	✓	✓	✓
Grado de protección		IP 55	IP 55	IP 55	IP 55
Código EAN		8435556143994	8435556144007	8435556144014	8435556144021
		8435556144038	8435556144045	8435556144052	8435556144069

MODELO ANCHO 450	BLANCO	TELCN45B077	TELCN45B112	TELCN45B150	TELCN45B172
	CROMO	TELCN45C077	TELCN45C112	TELCN45C150	TELCN45C172
DIMENSIONES Y PESOS					
Anchura (mm)		450	450	450	450
Altura sin panel de control (mm)		770	1.120	1.500	1.720
Altura con panel de control (mm)		810	1.160	1.540	1.760
Fondo (mm)		30	30	30	30
Fondo instalado (mm)		100	100	100	100
Peso (kg)		6,7	10,6	14,0	16,7
CARACTERÍSTICAS MECÁNICAS					
Resistencia de acero blindado		✓	✓	✓	✓
Fluido térmico		✓	✓	✓	✓
Acabado		Blanco RAL 9016			
		Cromo			
CARACTERÍSTICAS ELÉCTRICAS					
Potencia nominal (W)	Blanco	300	500	750	1.000
	Cromo	300	300	500	750
Voltaje (V)		230 V ~	230 V ~	230 V ~	230 V ~
Intensidad (A)	Blanco	1,3	2,2	3,3	4,4
	Cromo	1,3	1,3	2,2	3,3
Clase II		✓	✓	✓	✓
INSTALACIÓN Y PROTECCIÓN					
Kit de instalación incluido		✓	✓	✓	✓
Grado de protección		IP 55	IP 55	IP 55	IP 55
Código EAN		8435556134947 8435556134985	8435556134954 8435556134992	8435556134961 8435556135005	8435556134978 8435556135012

MODELO ANCHO 500	BLANCO	TELCN50B077	TELCN50B112	TELCN50B150	TELCN50B172
	CROMO	TELCN50C077	TELCN50C112	TELCN50C150	TELCN50C172
DIMENSIONES Y PESOS					
Anchura (mm)		500	500	500	500
Altura sin panel de control (mm)		770	1.120	1.500	1.720
Altura con panel de control (mm)		810	1.160	1.540	1.760
Fondo (mm)		30	30	30	30
Fondo instalado (mm)		100	100	100	100
Peso (kg.)		7,4	11,6	14,6	18,1
CARACTERÍSTICAS MECÁNICAS					
Resistencia de acero blindado		✓	✓	✓	✓
Fluido térmico		✓	✓	✓	✓
Acabado		Blanco RAL 9016			
		Cromo			
CARACTERÍSTICAS ELÉCTRICAS					
Potencia nominal (W)	Blanco	300	500	750	1.000
	Cromo	300	300	500	750
Voltaje (V)		230 V ~	230 V ~	230 V ~	230 V ~
Intensidad (A)	Blanco	1,3	2,2	3,3	4,4
	Cromo	1,3	1,3	2,2	3,3
Clase II		✓	✓	✓	✓
INSTALACIÓN Y PROTECCIÓN					
Kit de instalación incluido		✓	✓	✓	✓
Grado de protección		IP 55	IP 55	IP 55	IP 55
Código EAN		8435556135029 8435556135067	8435556135036 8435556135074	8435556135043 8435556135081	8435556135050 8435556135098

MODELO ANCHO 550	BLANCO	TELCN55B077	TELCN55B112	TELCN55B150	TELCN55B172
	CROMO	TELCN55C077	TELCN55C112	TELCN55C150	TELCN55C172
DIMENSIONES Y PESOS					
Anchura (mm)		550	550	550	550
Altura sin panel de control (mm)		770	1.120	1.500	1.720
Altura con panel de control (mm)		810	1.160	1.540	1.760
Fondo (mm)		30	30	30	30
Fondo instalado (mm)		100	100	100	100
Peso (kg.)		7,8	12,6	15,6	19,4
CARACTERÍSTICAS MECÁNICAS					
Resistencia de acero blindado		✓	✓	✓	✓
Fluido térmico		✓	✓	✓	✓
Acabado		Blanco RAL 9016			
		Cromo			
CARACTERÍSTICAS ELÉCTRICAS					
Potencia nominal (W)	Blanco	300	500	750	1.000
	Cromo	300	300	500	750
Voltaje (V)		230 V ~	230 V ~	230 V ~	230 V ~
Intensidad (A)	Blanco	1,3	2,2	3,3	4,4
	Cromo	1,3	1,3	2,2	3,3
Clase II		✓	✓	✓	✓
INSTALACIÓN Y PROTECCIÓN					
Kit de instalación incluido		✓	✓	✓	✓
Grado de protección		IP 55	IP 55	IP 55	IP 55
Código EAN		8435556135104 8435556135142	8435556135111 8435556135159	8435556135128 8435556135166	8435556135135 8435556135173

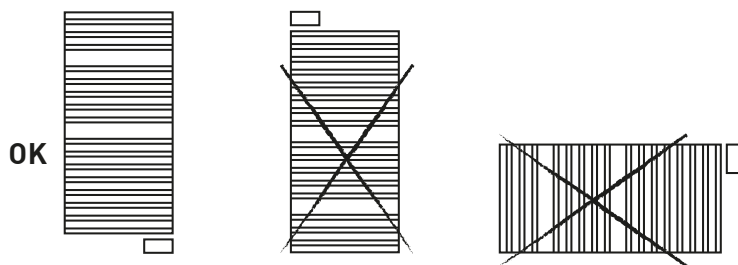
3. INSTALACIÓN

Recomendamos usar un proveedor de confianza de Rointe. Encuentre el más cercano llamándonos al **900 103 061** o usando el localizador en **www.rointe.com**.

IMPORTANTE: Previo a la instalación, por favor localice la etiqueta metálica situada en la parte posterior del producto y anote la referencia del producto y el número de serie. Necesitará esta información para registrar su garantía. Ver apartado 7 para indicar el registro de la garantía.

ADVERTENCIA: No instale el producto directamente sobre una toma de corriente fija o caja de conexiones. No instale el producto ni lo use en el exterior. No la instale directamente debajo de un estante. Este producto está diseñado para ser instalado en una pared interior utilizando la plantilla ROINTE, el kit de instalación y los elementos de fijación suministrados. No instale el producto de forma que quede en contacto con cable de alimentación.

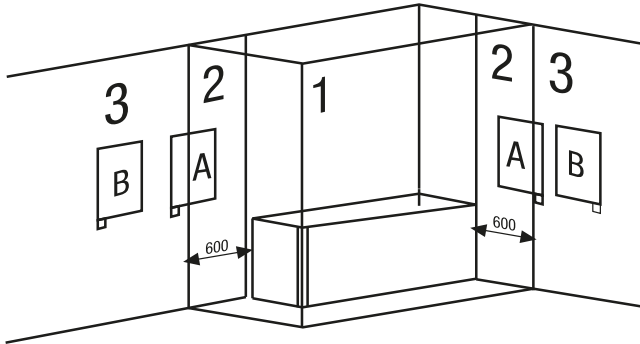
IMPORTANTE: Este aparato no debe ser instalado nunca con su caja de mandos en posición alta. El aparato vertical no debe ser utilizado horizontalmente. Durante la instalación utilice calces para evitar que la caja de los mandos apoye en el suelo.



La conexión a la red debe efectuarse respetando la tensión indicada en la etiqueta de características técnicas del producto. Este aparato está destinado a ser permanentemente conectado a una instalación fija. El circuito de alimentación del secadoallas debe incorporar un interruptor de corte unipolar con una separación de contactos de al menos 3 mm. El

aparato debe ser instalado, si es posible al abrigo de las corrientes de aire (ventanas, puertas) o de cualquier otra cosa que pudiera perturbar su regulación. Así, le aportará el mejor confort térmico. Coloque todo objeto que pueda suponer un impedimento a la circulación del aire (muebles, sillones) a 50 cm de la cara delantera del aparato. El aparato no se deberá colocar delante o justo debajo de un enchufe fijo. La parte baja de la caja de mandos debe situarse como mínimo a 15 cm del suelo.

Para cualquier aparato, si el cable de alimentación está deteriorado, debe ser reemplazado por un cable específico. La sustitución del cable debe ser efectuada por el fabricante, su servicio posventa o personal cualificado. Las características técnicas de su aparato están indicadas en la etiqueta de características técnicas.



Este aparato es conforme con las normas de seguridad de CLASE II (doble aislamiento). Puede estar instalado en las Zonas 2 y 3, posiciones A y B siempre que se respeten las siguientes normas:

- En los cuartos de baño, el secatoallas nunca debe ser instalado de tal forma que el panel de control puedan ser alcanzado por una persona que se encuentre en la bañera o ducha. El panel de control debe estar situado a una distancia mínima de 600 mm de cualquier zona húmeda. El cuerpo del producto puede colocarse en las Zonas 2 si el panel de control se encuentra dentro de la Zona 3.

ADVERTENCIA. El peso de algunos de los productos podría ser elevado. Su instalación puede requerir la intervención de dos personas.

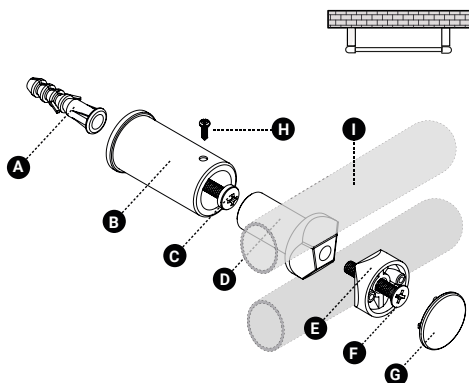
IMPORTANTE: Por favor, siga estas instrucciones cuidadosamente.



Dentro del embalaje encontrará un kit de instalación. Véase las instrucciones abajo:

1. Seleccionar el lugar adecuado de la pared.
2. Colocar la plantilla en la pared, haciendo pequeñas marcas en los lugares donde van situados los agujeros.
3. Retirar la plantilla y hacer los agujeros.
4. Insertar los tacos (A) en los agujeros realizados.
5. Atornillar la pieza plástica de anclaje (B) a la pared con el tornillo Ø5.5 x 50 mm (C).
6. Atornillar las dos piezas sujeta-secatoallas (D + E) al tubo horizontal del secatoallas como se ve en la Figura 1 con el tornillo Ø6 x 35mm (F).
7. Insertar el conjunto del punto 6 en la pieza plástica de anclaje (B) y sujetar con el tornillo de bloqueo de Ø2,9 x 9,5mm (H).
8. Colocar el embellecedor (G) en la pieza sujeta-secatoallas (E).

Nº.	ITEM
A	Taco Ø10 x 45 mm
B	Soporte de plástico
C	Tornillo Ø 5,5 x 50 mm
D	Soporte de plástico
E	Soporte de plástico
F	Tornillo Ø 6 x 35 mm
G	Embellecedor de plástico soporte
H	Tornillo de bloqueo Ø 2,9 x 9,5 mm
I	Producto



4. MANTENIMIENTO Y LIMPIEZA

El producto no necesita ningún tipo de mantenimiento. Recomendamos la limpieza del producto (parte trasera, inferior del producto, etc.). No utilice sustancias abrasivas sobre el producto, límpielo con un paño húmedo y jabón pH neutro y la pantalla con un paño seco. Antes de efectuar cualquier operación de limpieza, asegúrese de que el producto está apagado y a temperatura ambiente.

5. NORMATIVA EUROPEA 2012/19/UE

En base a la normativa europea 2012/19/UE de Residuos de Aparatos Eléctricos y Electrónicos (RAEE), dichos aparatos no pueden ser arrojados en los contenedores municipales habituales; tienen que ser recogidos selectivamente para optimizar la recuperación y reciclado de los componentes y materiales que los constituyen, y reducir el impacto en la salud humana y el medio ambiente. El símbolo del cubo de basura tachado sobre barra horizontal se marca sobre todos los productos Rointe para recordar al consumidor la obligación de separarlos para la recogida selectiva. El consumidor debe contactar con la autoridad local o con el vendedor para informarse en relación a la correcta eliminación de su aparato.

6. GARANTÍA

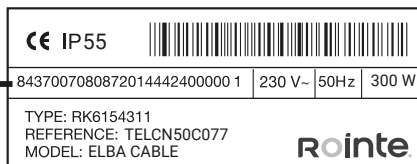
1. Acuerdo

1.1. En este apartado, se describen las condiciones de garantía de las que dispone el comprador al haber adquirido un nuevo producto de la marca Rointe. Estas condiciones reúnen todos los derechos que tiene el comprador de acuerdo con la legislación nacional vigente, así como la garantía y los derechos adicionales que ofrece la marca.

1.2. Cualquier incidencia que detecte en su producto Rointe, puede ser atendida por el vendedor del producto o de una forma más ágil a través del propio fabricante. Rointe, pone a su disposición el **TELÉFONO DE ASISTENCIA TÉCNICA 900 103 061 (968 864 363) o email a sat@rointe.com**, donde le indicaremos los pasos a seguir para solucionar dicha incidencia. **Necesitará la referencia de producto (ubicada en la etiqueta metálica de características), número de serie, fecha de compra y la naturaleza del fallo al contactar con nosotros. Además, deberá disponer de una copia del comprobante de compra del producto.**

1.3. ROINTE garantiza que no hay defectos materiales de diseño o fabricación en el momento de la compra original. ROINTE garantiza el cuerpo de aluminio durante 120 meses (10 años) y los componentes eléctricos y electrónicos durante 36 meses (3 años) solo para este producto, desde la fecha de compra, o entrega si esta fue posterior, siempre que no haya sido modificado, y de acuerdo con lo dispuesto en las estipulaciones siguientes.

**NÚMERO DE
SERIE**



2. Condiciones

2.1. Si durante el periodo de garantía, el producto, con un uso normal y el debido mantenimiento, no funciona correctamente y se encuentra algún defecto de diseño, material o fabricación, se reparará o sustituirá a elección del cliente, de acuerdo con lo previsto en la ley, y con los términos y condiciones siguientes:

2.1.1. La garantía sólo es aplicable si la garantía original es emitida por el vendedor y cuando dicha garantía haya sido registrada en ROINTE correctamente, incluyendo la referencia del producto, el número de serie (marcado en la etiqueta metálica del producto), la fecha de compra y el comprobante de compra. La garantía del producto puede registrarse en nuestro sitio web en www.rointe.com o puede enviarse por correo electrónico a sat@rointe.com en un plazo de 90 días a partir de la instalación. ROINTE se reserva el derecho de rechazar la garantía cuando esta información se haya eliminado o modificado después de la compra del producto original.

2.1.2. La garantía solo es aplicable si el producto ha sido instalado por una persona competente de acuerdo con este manual de instalación y todas las normativas vigentes en el momento de la instalación.

2.1.3. La garantía solo es aplicable a aquellos casos que se refieren a defectos de material, diseño y fabricación, y en ningún caso cubre los daños del producto por los siguientes motivos:

- i) Daños causados por negligencia y/o mal uso del producto, es decir, utilizado para otros fines que no se consideren su uso normal o por no respetar las instrucciones de uso, mantenimiento y limpieza dadas por ROINTE, así como la instalación o el uso incorrecto o inadecuado del producto que pueda no cumplir con las normas técnicas de seguridad vigentes.
- ii) La corrosión de cualquier parte del producto causada por la exposición directa al agua salada. Cuando el producto se instale a menos de 200 m de la costa, el periodo de garantía para los daños causados por la corrosión se reducirá en un 50%.
- iii) Cualquier modificación no autorizada o reparaciones del producto llevadas a cabo por terceros o personas no autorizadas, o la apertura del producto por terceros o personas no autorizadas.
- iv) Cualquier accidente que se considere fuera del control de ROINTE, como (pero no limitado a): rayos, incendios, inundaciones, desastres naturales, desórdenes públicos,

fenómenos atmosféricos o geológicos, y todos aquellos de análoga naturaleza.

v) Los fallos que resulten de una instalación incorrecta. En caso de duda, póngase en contacto con ROINTE.

2.2. Cualquier reparación o sustitución realizada como parte de este servicio de garantía no permite periodos de ampliación o nuevos periodos de garantía, es decir, su garantía no se ampliará en caso de que se realice una reparación o sustitución de este producto, sino que esta quedará en suspenso hasta que el producto sea devuelto, reparado o entregado uno nuevo.

2.3. Cualquier reparación o sustitución cubierta por esta garantía debe ser una pieza equivalente desde el punto de vista funcional. Las piezas defectuosas o las piezas retiradas o sustituidas pasarán a ser propiedad de ROINTE y deberán ser devueltas como tales.

2.4. El producto debe instalarse de forma que permita el acceso de los técnicos de ROINTE o de personas autorizadas en caso de que necesiten acceder al producto para su reparación o mantenimiento. El usuario/cliente es responsable de los medios organizativos necesarios para permitir el acceso a los productos por ROINTE para su reparación o sustitución.

2.5. El departamento de Soporte Técnico de ROINTE le asesorará si necesita adquirir alguna pieza no cubierta por esta garantía o fuera de ella.

2.6. Esta garantía no será válida si el producto ha sido manipulado, modificado y/o reparado de cualquier manera y/o por personas no autorizadas. Esta garantía tampoco será válida si el producto no está correctamente instalado.

2.7. Esta garantía no es transferible y no incluye reclamaciones por daños por cal o heladas.

2.8. Esta garantía no afecta a los derechos legales del comprador estipulados en la legislación nacional vigente, ni afecta a los derechos contraídos con el distribuidor o instalador que pudieran surgir en cumplimiento del contrato de compraventa.

2.9. ROINTE, sus oficinas, empleados, distribuidores e instaladores no se harán responsables de ningún daño accidental que se produzca por la infracción de cualquier norma implícita en este producto, así como por su uso inadecuado o incorrecto.

2.10. Compruebe las condiciones del EULA (suministradas con el producto) para obtener información sobre el acuerdo legal que acepta al instalar un producto de ROINTE. Para ayuda sobre el producto o la garantía, por favor contacte con ROINTE por teléfono 900 103 061 (o 968 864 363) o envíe un correo electrónico a sat@rointe.com.

7. CÓMO REGISTRAR LA GARANTÍA DE SU PRODUCTO

IMPORTANTE: Es importante que registre su producto ROINTE como parte de nuestro servicio de garantía, en caso de que quiera hacer una reclamación.

Puede registrar su producto ROINTE de las siguientes maneras:

WEB

1. Acceda a www.rointe.com/compania/registra-tu-garantia/.
2. Ingrese a su cuenta existente o cree una nueva cuenta si es necesario.
3. Haga clic en "Mis productos".
4. Introduzca la referencia de su producto (alfanumérica y en mayúsculas).
5. Introduzca su número de serie (26 dígitos situados en la etiqueta metálica de su producto que comienzan con 84).
6. Suba su prueba de compra, como la factura en formato PDF, JPEG o PNG. Esto no es obligatorio, pero al hacerlo se asegura que su período de garantía es exacto.
7. Haga clic en "Registro".
8. Enhorabuena! Su producto ya está registrado.

EMAIL

1. Envíe un correo electrónico a sat@rointe.com con la siguiente información:
 - Nombre del cliente
 - Dirección y código postal
 - Número de teléfono y dirección de correo electrónico
 - Referencia del producto
 - Número de serie
 - La fecha de compra del producto y el comprobante de compra (como se describe en la sección del SITIO WEB más arriba).
2. Nuestro equipo de soporte técnico confirmará el registro del producto y solicitará cualquier información adicional necesaria por correo electrónico.

POSTAL

1. Envíe la información que figura en la sección EMAIL a:
 - INDUSTRIAS ROYAL TERMIC, S.L. - Rointe, C/E Parcela 43, 30140, Santomera (ESPAÑA)
2. Por favor, asegúrese de obtener una prueba de envío.

SÍMBOLOS



PERIGO. Este símbolo indica um risco médio-alto que, se não for evitado, pode resultar em ferimentos graves ou morte.



SUPERFÍCIE QUENTE. Este símbolo indica que as suas superfícies estão quentes durante e imediatamente após a sua utilização. Não devem ser tocados: perigo de queimaduras.



OBSERVAR AS INSTRUÇÕES DO MANUAL. Por favor, leia atentamente o manual antes de instalar e utilizar o produto. Guarde-o para utilização posterior. Ler todas as instruções e avisos de segurança. O não seguimento pode resultar em choque eléctrico, incêndio, bem como ferimentos graves.

INDICE

1. Advertências gerais	38
2. Informação técnica	41
3. Instalação	45
4. Manutenção e limpeza	47
5. Regulamento Europeu (RAEE) 2012/19/UE	47
6. Garantia	48
7. Como registar a garantia do seu produto	50
Declaração de Conformidade da UE	52

1. ADVERTÊNCIAS GERAIS



ADVERTÊNCIAS

Este produto pode ser utilizado por crianças com mais de 8 anos de idade e por pessoas com capacidades físicas, sensoriais ou mentais reduzidas, ou com falta de experiência e conhecimento, se lhes tiver sido dada supervisão ou instruções relativas à utilização do produto de uma forma segura e compreender os perigos envolvidos. As crianças não devem ligar, regular, limpar, brincar com, ou prestar assistência a este produto. As crianças com menos de 3 anos de idade devem ser mantidas afastadas do produto, a menos que sejam supervisionadas.

Não manusear o dispositivo em espaços fechados se estiverem presentes pessoas que não possam sair da sala independentemente e que não estejam sob supervisão constante.

Não colocar latas de spray, substâncias voláteis ou objectos semelhantes num raio de 250mm do produto. Não utilizar insecticidas, tintas, produtos químicos sobre ou perto do produto.



Partes deste produto podem atingir altas temperaturas e causar queimaduras. Não tocar nas partes externas do emissor quando em funcionamento. Não instalar perto de cortinas ou outros materiais inflamáveis. Deve ser tomado especial cuidado quando crianças e pessoas vulneráveis estiverem presentes.

Ao utilizar aparelhos eléctricos, devem ser tomadas precauções para reduzir o risco de incêndio, choque eléctrico e ferimentos em pessoas. Nunca inserir dedos, partes do corpo ou objectos no interior do produto.

Certifique-se de que a potência indicada nas informações técnicas do produto corresponde à potência de saída que tem na sua tomada.

Qualquer reparação ou manutenção que exija a abertura do produto deve ser efectuada por ROINTE ou por pessoal autorizado, na qual deve ser notificado se for observada uma fuga. Só devem ser utilizadas peças de substituição oficiais aprovadas pelo fabricante. É favor observar os regulamentos ao eliminar este produto e o seu fluido térmico.

Se o cabo de alimentação for danificado, deve ser substituído por ROINTE ou pelo seu pessoal autorizado para evitar qualquer dano.

Para evitar o risco de asfixia, não deixar os sacos e outros acessórios ao alcance de bebés e crianças.

O produto tem um grau de protecção IP55 e pode ser utilizado em casas de banho, mas não nas proximidades de banheiras, duches, ligações de água, pias, piscinas ou outros corpos de água. O produto nunca deve ser instalado onde os interruptores ou o painel de controlo estejam ao alcance das pessoas na água. Nunca operar o produto com as mãos molhadas. Não colocar quaisquer recipientes com água (copos, vasos, etc.) sobre ou perto do produto.

IMPORTANTE

- Desligar o produto da fonte de alimentação e certificar-se de que o produto está à temperatura ambiente antes de qualquer limpeza ou manutenção. Não utilizar quaisquer substâncias abrasivas no produto, tais como (mas não limitadas a) produtos químicos, panos rugosos, escovas de cerdas duras ou lã de arame/aço.
- Para desligar o produto da fonte de alimentação principal, retirar a ficha da tomada. Não puxar o cabo.
- ROINTE não pode ser responsabilizada por produtos com dimensões incorrectas, a menos que um inquérito técnico oficial ROINTE tenha sido seguido.
- Antes do primeiro arranque ou antes do início da estação de Inverno ou quando o transmissor não tiver sido utilizado durante vários dias, o dispositivo deve ser limpo (seguir os passos na secção “manutenção” deste manual).
- Não sentar ou apoiar no produto.
- Os contrastes de temperatura podem gerar “estalidos” ou ruídos no dispositivo. Isto não é uma falha do produto, mas deve-se à expansão/contracção dos materiais.
- Ao eliminar os emissores, devem ser observados os requisitos legais para o tratamento e reciclagem de resíduos. Ver REEE no ponto 5.

2. INFORMAÇÃO TÉCNICA

MODELO LARGO 400	BRANCO	TELCN40B077	TELCN40B112	TELCN40B150	TELCN40B172
	CROMADO	TELCN40C077	TELCN40C112	TELCN40C150	TELCN40C172
DIMENSÕES E PESO					
Largura (mm)		400	400	400	400
Altura sem painel de controlo (mm)		770	1.120	1.500	1.720
Altura com painel de controlo (mm)		810	1.160	1.540	1.760
Profundidade (mm)		30	30	30	30
Profundidade instalado (mm)		100	100	100	100
Peso (kg.)		6,1	9,8	12,9	15,4
CARACTERÍSTICAS MECÁNICAS					
Resistencia de aço blindado		✓	✓	✓	✓
Fluido térmico		✓	✓	✓	✓
Acabamento		Branco RAL 9016			
		Cromado			
CARACTERÍSTICAS ELÉCTRICAS					
Potência nominal (W)	Branco	300	500	750	1.000
	Cromado	300	300	500	750
Voltagem (V)		230 V ~	230 V ~	230 V ~	230 V ~
Intensidade (A)	Branco	1,3	2,2	3,3	4,4
	Cromado	1,3	1,3	2,2	3,3
Classe II		✓	✓	✓	✓
INSTALAÇÃO E PROTECÇÃO					
Kit de instalação incluído		✓	✓	✓	✓
Grau de protecção		IP 55	IP 55	IP 55	IP 55
Código EAN		8435556143994	8435556144007	8435556144014	8435556144021
		8435556144038	8435556144045	8435556144052	8435556144069

MODELO LARGO 450	BRANCO	TELCN45B077	TELCN45B112	TELCN45B150	TELCN45B172
	CROMADO	TELCN45C077	TELCN45C112	TELCN45C150	TELCN45C172
DIMENSÕES E PESO					
Largura (mm)		450	450	450	450
Altura sem painel de controlo (mm)		770	1.120	1.500	1.720
Altura com painel de controlo (mm)		810	1.160	1.540	1.760
Profundidade (mm)		30	30	30	30
Profundidade instalado (mm)		100	100	100	100
Peso (Kg)		6,7	10,6	14,0	16,7
CARACTERÍSTICAS MECÁNICAS					
Resistencia de aço blindado		✓	✓	✓	✓
Fluido térmico		✓	✓	✓	✓
Acabamento		Branco RAL 9016			
		Cromado			
CARACTERÍSTICAS ELÉCTRICAS					
Potência nominal (W)	Branco	300	500	750	1.000
	Cromado	300	300	500	750
Voltagem (V)		230 V ~	230 V ~	230 V ~	230 V ~
Intensidade (A)	Branco	1,3	2,2	3,3	4,4
	Cromado	1,3	1,3	2,2	3,3
Classe II		✓	✓	✓	✓
INSTALAÇÃO E PROTECÇÃO					
Kit de instalação incluído		✓	✓	✓	✓
Grau de protecção		IP 55	IP 55	IP 55	IP 55
Código EAN		8435556134947 8435556134985	8435556134954 8435556134992	8435556134961 8435556135005	8435556134978 8435556135012

MODELO LARGO 500	BRANCO	TELCN50B077	TELCN50B112	TELCN50B150	TELCN50B172
	CROMADO	TELCN50C077	TELCN50C112	TELCN50C150	TELCN50C172
DIMENSÕES E PESO					
Largura (mm)		500	500	500	500
Altura sem painel de controlo (mm)		770	1.120	1.500	1.720
Altura com painel de controlo (mm)		810	1.160	1.540	1.760
Profundidade (mm)		30	30	30	30
Profundidade instalado (mm)		100	100	100	100
Peso (Kg)		7,4	11,6	14,6	18,1
CARACTERÍSTICAS MECÁNICAS					
Resistencia de aço blindado		✓	✓	✓	✓
Fluido térmico		✓	✓	✓	✓
Acabamento		Branco RAL 9016			
		Cromado			
CARACTERÍSTICAS ELÉCTRICAS					
Potência nominal (W)	Branco	300	500	750	1.000
	Cromado	300	300	500	750
Voltagem (V)		230 V ~	230 V ~	230 V ~	230 V ~
Intensidade (A)	Branco	1,3	2,2	3,3	4,4
	Cromado	1,3	1,3	2,2	3,3
Classe II		✓	✓	✓	✓
INSTALAÇÃO E PROTECÇÃO					
Kit de instalação incluído		✓	✓	✓	✓
Grau de protecção		IP 55	IP 55	IP 55	IP 55
Código EAN		8435556135029 8435556135067	8435556135036 8435556135074	8435556135043 8435556135081	8435556135050 8435556135098

MODELO LARGO 550	BRANCO	TELCN55B077	TELCN55B112	TELCN55B150	TELCN55B172
	CROMADO	TELCN55C077	TELCN55C112	TELCN55C150	TELCN55C172
DIMENSÕES E PESO					
Largura (mm)		550	550	550	550
Altura sem painel de controlo (mm)		770	1.120	1.500	1.720
Altura com painel de controlo (mm)		810	1.160	1.540	1.760
Profundidade (mm)		30	30	30	30
Profundidade instalado (mm)		100	100	100	100
Peso (Kg)		7,8	12,6	15,6	19,4
CARACTERÍSTICAS MECÂNICAS					
Resistencia de aço blindado		✓	✓	✓	✓
Fluido térmico		✓	✓	✓	✓
Acabamento		Branco RAL 9016			
		Cromado			
CARACTERÍSTICAS ELÉCTRICAS					
Potência nominal (W)	Branco	300	500	750	1.000
	Cromado	300	300	500	750
Voltagem (V)		230 V ~	230 V ~	230 V ~	230 V ~
Intensidade (A)	Branco	1,3	2,2	3,3	4,4
	Cromado	1,3	1,3	2,2	3,3
Classe II		✓	✓	✓	✓
INSTALAÇÃO E PROTECÇÃO					
Kit de instalação incluído		✓	✓	✓	✓
Grau de protecção		IP 55	IP 55	IP 55	IP 55
Código EAN		8435556135104	8435556135111	8435556135128	8435556135135
		8435556135142	8435556135159	8435556135166	8435556135173

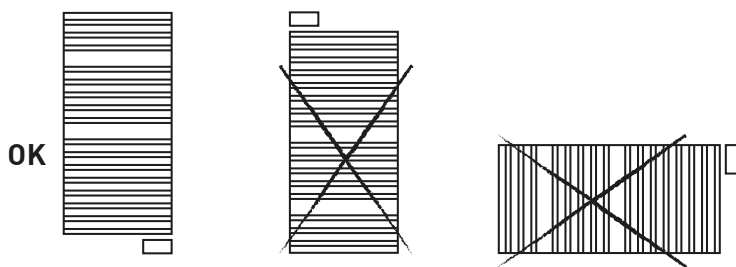
3. INSTALAÇÃO

Recomendamos a utilização de um fornecedor Rointe de confiança. Encontre o mais próximo contactando para o número **+(351) 22 120 01 14** ou utilizando o localizador em **www.rointe.pt**.

IMPORTANTE: Antes da instalação, por favor localizar a etiqueta prateada no verso do produto e anotar a referência do produto e o número de série. Precisar desta informação para registar a sua garantia, ver secção 7 para registo de garantia.

AVISO: Não instalar o produto directamente numa tomada ou caixa de junção fixa. Não instalar o produto ou utilizá-lo ao ar livre. Não instalar directamente debaixo de uma prateleira. Este produto foi concebido para ser instalado numa parede interior utilizando o modelo ROINTE, kit de instalação e fixadores fornecidos. Não instalar o produto de forma que este entre em contacto com o cabo de alimentação.

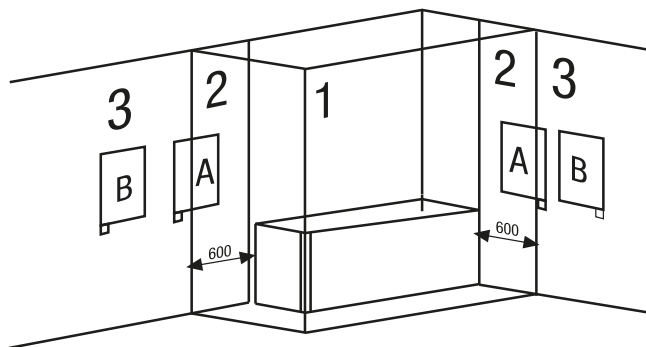
IMPORTANTE: Este aparelho nunca deve ser instalado com a sua caixa de controlo numa posição elevada. O aparelho vertical não deve ser utilizado na horizontal. Durante a instalação, utilizar calços para evitar que a caixa de controlo descansa no chão.



A ligação à rede deve ser feita em conformidade com a potência indicada na etiqueta de dados técnicos do produto. Este aparelho destina-se a ser ligado permanentemente a uma instalação fixa. O circuito de alimentação do toalheiro deve ser equipado com um disjuntor de um pólo com uma separação de contacto de pelo menos 3 mm. O aparelho deve ser

instalado, se possível, longe de correntes de ar (janelas, portas) ou qualquer outra coisa que possa interferir com o seu controlo. Isto irá proporcionar o melhor conforto térmico. Colocar qualquer objecto que possa impedir a circulação do ar (mobiliário, poltronas) a 50 cm da frente do aparelho. O aparelho não deve ser colocado em frente ou directamente por baixo de uma tomada fixa. O fundo da caixa de controlo deve estar pelo menos 15 cm acima do chão.

Para qualquer aparelho, se o cabo de alimentação for danificado, deve ser substituído por um cabo específico. A substituição do cabo deve ser efectuada pelo fabricante, pelo seu serviço pós-venda ou por pessoal qualificado. As características técnicas do seu aparelho são indicadas na etiqueta de características técnicas.



Este aparelho cumpre as normas de segurança da CLASSE II (duplo isolamento). Pode ser instalado nas Zonas 2 e 3, posições A e B, desde que sejam observadas as seguintes regras: Nas casas de banho, o toalheiro nunca deve ser instalado de forma que o painel de controlo possa ser alcançado por uma pessoa na banheira ou no duche. O painel de controlo deve estar situado a uma distância mínima de 600 mm de qualquer zona húmida. O corpo do produto pode ser colocado na Zona 2 se o painel de controlo estiver localizado dentro da Zona 3.

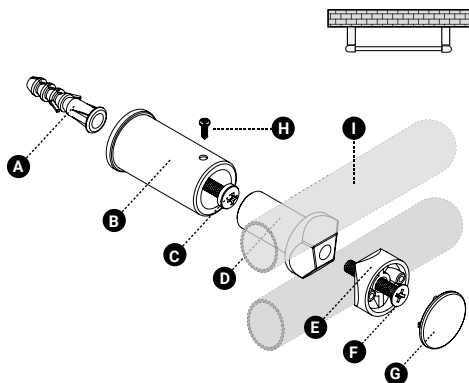
ADVERTÊNCIA. O peso de alguns dos produtos pode ser pesado.
A instalação pode requerer a intervenção de duas pessoas.
IMPORTANTE: Por favor, siga cuidadosamente estas instruções.



Um kit de instalação está incluído na embalagem. Por favor, siga as instruções abaixo:

1. Seleccionar o lugar adequado na parede.
2. Colocar o molde de montagem na parede, faça marcas nos lugares onde vai realizar as furações.
3. Retire o molde de montagem e faça as furações na parede.
4. Introduza as buchas (A) nas furações.
5. Aparafuse e a peça plástica de fixação à parede (B) com os parafusos Ø5.5 x 50 mm (C).
6. Aparafuse as duas peças de fixação do seca-toalhas (D + E) ao tubo horizontal do seca-toalhas conforme a imagem 1 com o parafuso Ø6 x 35mm (F).
7. Introduza o conjunto do ponto 6 na peça plástica de fixação (B) e prenda com o parafuso de bloqueio Ø2,9 x 9,5mm (H).
8. Colocar o tampão (G) na peça do fixador do seca-toalhas (E).

Nº.	ITEM
A	Bucha Ø10 x 45 mm
B	Suporte de plástico
C	Parafuso Ø 5,5 x 50 mm
D	Suporte de plástico
E	Suporte de plástico
F	Parafuso Ø 6 x 35 mm
G	Tampão de suporte de plástico
H	Parafuso de bloqueio Ø 2,9 x 9,5 mm
I	Produto



4. MANUTENÇÃO E LIMPEZA

O produto não requer qualquer manutenção. Recomendamos a limpeza do produto (parte de trás, de baixo, etc.). Não utilizar substâncias abrasivas no produto, limpá-lo com um pano húmido e sabão de pH neutro e a tela com um pano seco. Antes de efectuar qualquer operação de limpeza, certifique-se de que o produto está desligado e à temperatura ambiente.

5. REGULAMENTO EUROPEU 2012/19/UE

Com base no regulamento europeu 2012/19/UE sobre resíduos de equipamentos eléctricos e electrónicos (REEE), estes aparelhos não podem ser atirados para os contentores municipais habituais; devem ser recolhidos selectivamente para otimizar a recuperação e reciclagem dos componentes e materiais que os compõem, e para reduzir o impacto na saúde humana e no ambiente. O símbolo do caixote do lixo riscado numa barra horizontal é marcado em todos os produtos Rointe para lembrar ao consumidor a obrigação de os separar para recolha separada. O consumidor deve contactar a autoridade local ou o retalhista para obter informações sobre a correcta eliminação do seu aparelho.



6. GARANTIA

1. Acordo

1.1. Esta secção descreve as condições de garantia que o comprador tem quando compra um novo produto da marca Rointe. Estas condições incluem todos os direitos que o comprador tem em conformidade com a legislação nacional em vigor, bem como a garantia e os direitos adicionais oferecidos pela marca.

1.2. Qualquer incidente detectado no seu produto Rointe pode ser tratado pelo vendedor do produto ou de uma forma mais ágil através do próprio fabricante. Rointe, coloca à sua disposição o TELEFONE DE APOIO TÉCNICO +(351) 22 120 01 14 ou e-mail para sat@rointe.com, onde indicaremos os passos a seguir para resolver o incidente. Necessitará da referência do produto (localizada na etiqueta de características metálicas), número de série, data de compra e a natureza da falha quando nos contactar. Além disso, é necessário ter uma cópia da prova de compra do produto.

1.3. ROINTE garante que não existem defeitos materiais de concepção ou fabrico no momento da compra original. ROINTE garante o corpo de alumínio por 120 meses (10 anos) e os componentes eléctricos e electrónicos por 36 meses (3 anos) apenas para este produto, a partir da data de compra, ou entrega se mais tarde, desde que não tenha sido modificado, e de acordo com as disposições das seguintes estipulações.

NÚMERO SERIAL	CE IP55	
	8437007080872014442400000 1	230 V~ 50Hz 300 W
	TYPE: RK6154311 REFERENCE: TELCN50C077 MODEL: ELBA CABLE	

2. Condições

2.1. se, durante o período de garantia, o produto, sob utilização normal e manutenção adequada, não funcionar correctamente e for considerado defeituoso na concepção, material

ou mão-de-obra, será reparado ou substituído por opção do cliente, de acordo com as disposições da lei, e sujeito aos seguintes termos e condições:

2.1.1. A garantia só é aplicável se a garantia original for emitida pelo vendedor e quando tal garantia tiver sido registada correctamente na ROINTE, incluindo a referência do produto, número de série (marcado no rótulo metálico do produto), data de compra e prova de compra. A garantia do produto pode ser registada no nosso website em www.rointe.pt ou pode ser enviada por e-mail para sat@rointe.com no prazo de 90 dias após a instalação. ROINTE reserva-se o direito de recusar a garantia quando esta informação tiver sido removida ou modificada após a compra do produto original.

2.1.2. A garantia só é aplicável se o produto tiver sido instalado por uma pessoa competente, de acordo com este manual de instalação e todos os regulamentos em vigor no momento da instalação.

2.1.3. A garantia só é aplicável aos casos que se referem a defeitos de material, desenho e mão-de-obra, e em nenhum caso cobre danos ao produto pelas seguintes razões:

(i) Danos causados por negligência e/ou má utilização do produto, ou seja, utilizado para fins diferentes do seu uso normal ou por não respeitar as instruções de utilização, manutenção e limpeza dadas pela ROINTE, bem como instalação ou utilização incorrecta ou inadequada do produto que possa não estar em conformidade com as normas técnicas de segurança em vigor.

ii) Corrosão de qualquer parte do produto causada pela exposição directa a água salgada. Quando o produto for instalado a menos de 200 m da costa, o período de garantia para danos causados pela corrosão será reduzido em 50%.

iii) Quaisquer modificações ou reparações não autorizadas do produto efectuadas por terceiros ou pessoas não autorizadas, ou a abertura do produto por terceiros ou pessoas não autorizadas.

iv) Qualquer acidente considerado fora do controlo de ROINTE, tal como (mas não limitado a): raios, incêndios, inundações, catástrofes naturais, desordens públicas, fenómenos atmosféricos ou geológicos, e todos aqueles de natureza semelhante.

v) Falhas resultantes de instalação incorrecta. Em caso de dúvida, por favor contacte ROINTE.

2.2 Qualquer reparação ou substituição efectuada como parte deste serviço de garantia não permite períodos de extensão ou novos períodos de garantia, ou seja, a sua garantia não será prolongada no caso de uma reparação ou substituição deste produto, mas será suspensa até que o produto seja devolvido, reparado ou seja entregue um novo.

2.3. Qualquer reparação ou substituição coberta por esta garantia deve ser uma peça funcionalmente equivalente. As partes defeituosas ou partes removidas ou substituídas tornar-se-ão propriedade de ROINTE e devem ser devolvidas como tal.

2.4. O produto deve ser instalado de modo a permitir o acesso de técnicos ROINTE ou de pessoas autorizadas no caso de necessitarem de aceder ao produto para reparação ou manutenção. O utilizador/cliente é responsável pelos meios organizacionais necessários para permitir o acesso aos produtos por ROINTE para reparação ou substituição.

2.5. O departamento de suporte técnico de ROINTE irá assessorar caso necessite adquirir alguma peça que não está coberta pela garantia ou fora dela.

2.6. Esta garantia não será válida se o produto tiver sido adulterado, modificado e/ou reparado de qualquer forma e/ou por pessoas não autorizadas. Esta garantia também não será válida se o produto não estiver correctamente instalado.

2.7. Esta garantia não é transmissível e não inclui reclamações por danos causados por cal ou geada.

2.8. Esta garantia não afecta os direitos estatutários do comprador ao abrigo da legislação nacional aplicável, nem afecta quaisquer direitos contratados com o revendedor ou instalador que possam surgir ao abrigo do contrato de venda.

2.9. ROINTE, os seus escritórios, funcionários, distribuidores e instaladores não serão responsáveis por quaisquer danos acidentais decorrentes da violação de qualquer regra implícita neste produto, bem como pela sua utilização imprópria ou incorrecta.

2.10. Verifique as condições EULA (fornecidas com o produto) para obter informações sobre o acordo legal que aceita ao instalar um produto ROINTE. Para assistência sobre produtos ou garantia, contactar ROINTE pelo telefone +(351) 22 120 01 14 ou e-mail sat@rointe.com.

9. COMO REGISTRAR A GARANTIA DO SEU PRODUTO

IMPORTANTE: É importante que registe o seu produto ROINTE como parte do nosso serviço de garantia, caso deseje fazer uma reclamação.

Pode registar o seu produto ROINTE das seguintes formas:

WEB

1. Vá a www.rointe.com/pt/registe-a-sua-garantia/.
2. Inicie sessão na sua conta existente ou crie uma nova conta se necessário.
3. Clique em “Os Meus Produtos”.
4. Introduza a referência do seu produto (alfanumérica e em letras maiúsculas).
5. Introduza o seu número de série (26 dígitos localizados na etiqueta metálica do seu produto começando por 84).
6. Carregue a sua prova de compra, tal como uma factura em formato PDF, JPEG ou PNG. Isto não é obrigatório, mas ao fazê-lo garante que o seu período de garantia é preciso.
7. Clique em “Registar”.
8. Parabéns! O seu produto está agora registado.

EMAIL

1. Enviar um e-mail para sat@rointe.com com as seguintes informações:
 - Nome do cliente
 - Endereço e código postal
 - Número de telefone e endereço de correio electrónico
 - Referência do produto
 - Número de série
 - A data de compra do produto e a prova de compra (como descrito acima na secção do WEBSITE).
2. A nossa equipa de apoio técnico confirmará o registo do produto e solicitará qualquer informação adicional requerida por correio electrónico.

POSTAL

1. Por favor envie a informação na secção EMAIL para:
 - INDUSTRIAS ROYAL TERMIC, S.L. - Rointe C/E Parcela 43, 30140, Santomera (ESPAÑA)

**DECLARATION OF CONFORMITY / DECLARACIÓN DE CONFORMIDAD /
DECLARAÇÃO DE CONFORMIDADE**

The company / la compañía / a empresa, ROINTE,

Pl. Vicente Antolinós - C/E, parcela 43, 30140, Santomera (Murcia) España



Declares under his responsibility / declara / declara:

Product / producto / produto: Rointe ELBA CABLE

Models / modelos / modelos: TELCN40*77, TELCN45*77, TELCN50*77, TELCN55*77, TELCN40*112, TELCN45*112, TELCN50*112, TELCN55*112, TELCN40*150, TELCN45*150, TELCN50*150, TELCN55*150, TELCN40*172, TELCN45*172, TELCN50*172, TELCN55*172

General specifications / Especificaciones generales / especificações gerais: 230VAC, 50Hz, IP55, CLASE II

To which this declaration relates is in conformity with the provisions of the following relevant Standard(s)/Specification(s)/Directive(s): / A la que se refiere esta declaración es conforme a las disposiciones de las siguientes Norma(s) / Especificación(es) / Directiva(s) pertinente(s) / A que esta declaração se refere está em conformidade com as seguintes disposições Norma(s)/ Especificação(ões)/Directiva(s) relevante(s):

LVD Directive 2014/35/EU	EN 60335-1:2012. Annexes A11:2014; A13:2017 EN 60335-2-30:2010. Annexes A11:2012
EMC Directive 2014/30/EU	EN 55014-1:2017 / EN 55014-2:2015 EN 62233:2008 + AC:2008
RoHS Directive 2011/65/EU	EN 62321-1:2013 / EN 50581:2012

The company declares that the above equipment has been designed to comply with the relevant sections of the above specifications. The equipment complies with all applicable essential requirements of the Directives.

La empresa declara que los equipos arriba mencionados han sido diseñados para cumplir con las secciones pertinentes de las especificaciones nombradas anteriormente. Los equipos cumplen con todos los requisitos esenciales aplicables de las Directivas.

A empresa declara que o equipamento acima referido foi concebido para cumprir com as secções pertinentes das especificações acima referidas. O equipamento cumpre com todos os requisitos essenciais aplicáveis das directivas.





Rointe España & Portugal

Pl. Vicente Antolinos - C/ E, p. 43,
30140, Murcia
T. (ES) 900 103 061
T. (PT) 221 200 114

Rointe United Kingdom

Hampton Business Park, Club Way,
Peterborough PE7 8JA
T. 0203 321 5928

Rointe Ireland

20 Harcourt Street, #247,
Dublin 2, D02 H364
T. +44 (0)203 321 5929 / 01 553 0523

Rointe Nederland

3197 LG Botlek, RT
T. 010 742 00 46

Copyright © Rointe Heating 2022.

All rights reserved. As part of our policy of continuous improvement, we reserve the right to alter or modify any product or specifications without prior notice. This also applies to products that have already been ordered, provided that such alterations can be made without subsequent changes to the already agreed specifications. We cannot accept responsibility for any errors in catalogues or other printed materials.

Todos los derechos reservados. Como parte de nuestra política de mejora continua, nos reservamos el derecho de alterar o modificar cualquier producto o especificaciones sin previo aviso. Esto también se aplica a los productos que ya se han pedido, siempre que dichas alteraciones puedan realizarse sin cambios posteriores en las especificaciones ya acordadas. No podemos aceptar la responsabilidad de ningún error en los catálogos u otros materiales impresos.

Todos os direitos reservados. Como parte da nossa política de melhoria contínua, reservamos o direito de alterar ou modificar quaisquer produtos ou especificações sem aviso prévio. Isto também se aplica aos produtos que já foram encomendados, desde que tais alterações possam ser feitas sem alterações subsequentes às especificações já acordadas. Não podemos aceitar responsabilidade por quaisquer erros em catálogos ou outros materiais impressos.

MECSML22V1 - MPPAMAN461

